

# Träk-Air™

## DAILY CLEANING PROCEDURE

1-800-688-TRAK (8725)

www.trak-air.com

1



- Switch to cool position.
- Open door to vent.
- Let cool 5-10 minutes.

3



- Clean interior and front wall with T401A.
- Rinse interior with sponge or spray.
- Flush, using drain hole if needed.

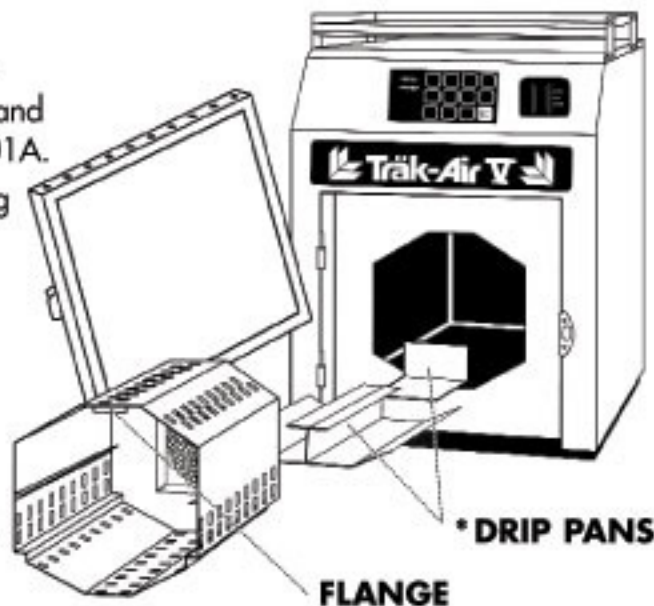
4



- Slowly insert cylinder, drip pans, baskets, and cooking pans into T525A solution until fully immersed. (Note: stainless steel items only)

2

- Switch to Off.
- Remove door and clean with T401A.
- When cleaning door, check gasket for cracks or damage.
- Remove cylinder and **\*BOTH DRIP PANS.**



5

- Soak 4-6 hours or overnight (properly mixed solution should last 2-4 weeks).
- Remove and thoroughly rinse all items with warm soapy water.
- When installing cylinder, make sure **FLANGE** is on top.

6

- Top rack can be removed to sink for cleaning.
- Clean grill of cooling fan mounted in the rear.
- Shine exterior of Träk-Air™ with Brite-Shine polish.

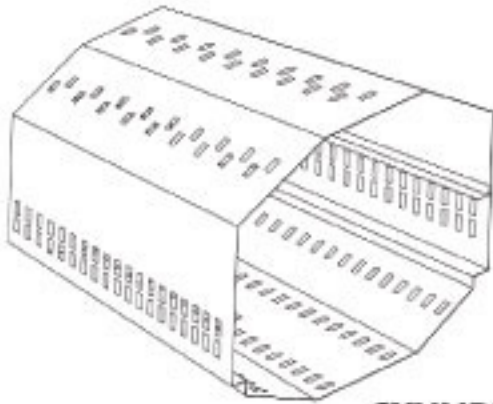




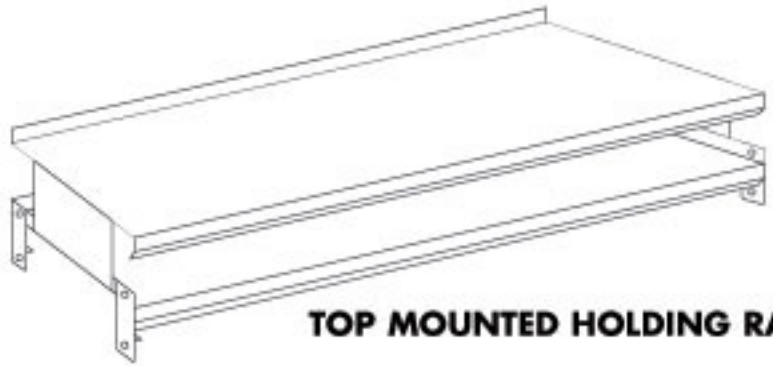
II / V ACCESSORIES

1-800-688-TRAK (8725)

www.trak-air.com



CYLINDER



TOP MOUNTED HOLDING RACK



HOT MITT



MAGNETIC MENU HOLDER



HOLDING RACK II / V



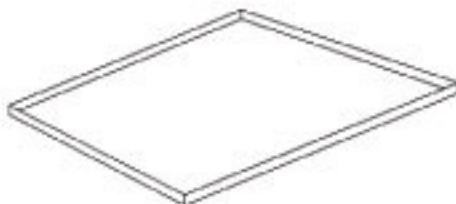
FLAT PERFORATED SCREEN



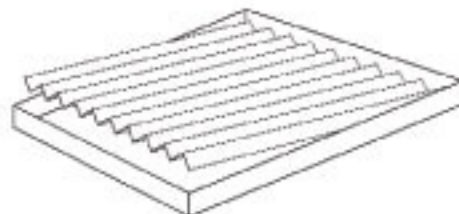
s/s PERFORATED BASKET



s/s PERFORATED LINER



FLAT PAN



s/s PAN w/LINER



BASKET/PAN COMBO

\*specify model when ordering